

Junction Boxes

TABLE OF CONTENTS

IQUBE ² DIGITAL DIAGNOSTIC JUNCTION BOX	198
REMOTE POWER SUPPLY FOR IQUBE ²	200
IQUBE ² DIGITAL DIAGNOSTIC JUNCTION BOXES.....	201

iQUBE²® Digital Diagnostic Junction Box

Junction Boxes



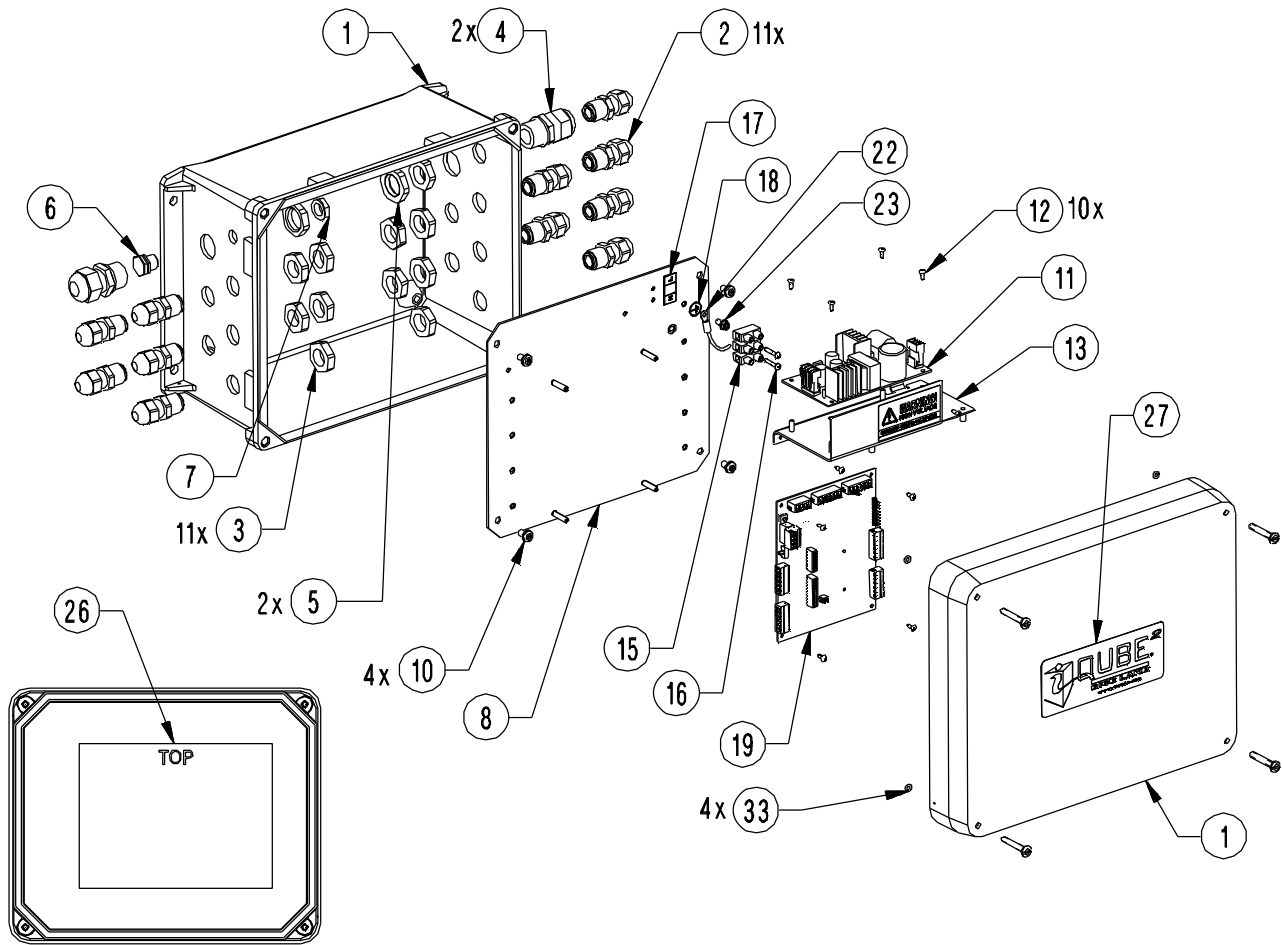
Part Number/Price

Ref#	Part#	Description	Price
1	106389	10 x 8 x 4 stainless steel enclosure (1)	\$400.00
	106388	Large FRP enclosure (1)	\$200.00
	109528	Small FRP enclosure (1)	\$145.00
2	15655	Cord-grips, 3/8 NPT (11-small; 17-large)	\$2.10
3	15656	Lock nuts, 3/8 NPT (11-small; 17-large)	\$1.05
4	15628	Cord-grips, 1/2 NPT (2)	\$4.00
5	15630	Lock nuts, 1/2 NPT (2)	\$3.00
6	88733	Breather vent (1)	\$22.00
7	88734	Breather vent nut (1)	\$1.05
8	106391	Component plate, small enclosure (1)	\$25.00
	109153	Component plate, large enclosure (1)	\$25.00
9	109446	Ground wire, 9in (1)	\$3.00
10	109526	Machine screws, 10-32 NC x 3/8 (4)	\$0.25
11	76556	7.5V switching power supply (1)	\$52.00
12	14825	Machine screws, 4-40 NC x 1/4 (10-small; 12-large)	\$1.15
13	107026	Power supply mounting bracket (1)	\$10.00
14	16861	High voltage warning label (1)	\$1.05
15	44744	3-position terminal block (1)	\$5.00
16	14834	Machine screws, 4-40 NC x 5/8 (2)	\$1.10
17	109319	AC power connection label (1)	\$2.00
19	106390	CPU board (1)	\$725.00
	108433	CPU board with connectors	\$800.00
20	109142	AC input cable assembly (1)	\$10.00
21	109145	CPU board power cable assembly (1)	\$10.00
22	109581	Power cord assembly, 120VAC (1)	\$15.00
23	109529	Machine screw, 8-32 NC x 3/8 (1)	\$0.25
26	109344	iQUBE ² connection label (1)	\$5.00
27	109343	iQUBE ² label (1)	\$3.00
33	81268	O-rings (4-FRP enclosures only)	\$1.05
	85791	Main power supply fuse, 2.5 amp 5 x 20 mm	\$3.15
	80869	CPU board fuse, 1.25 amp TR5	\$2.50
	112262	ReFlash cable, rev. F and newer	\$50.00
	SZ14469	ReFlash cable, rev. E and older	\$120.00
	106113	Manual, iQUBE ² installation manual	\$25.00
	108579	RS232/RS485 board	\$260.00
	77142	Ethernet TCP/IP board	\$400.00
	108671	Wireless LAN 802.11 B/G board	\$570.00
	93245	USB port board	\$175.00
	77143	Fiber optic board	\$200.00
	109148	4-Channel Parts Kit Contents	\$45.00
		14861 Machine screws, 8-32 NC x 3/8 (qty. 8)	\$2.00
		15134 Lock washers, no. 8 Type A (qty. 8)	\$2.00
		15631 Cable ties, 3 in (qty. 5)	\$1.50
		15665 Reducing glands, 1/2 NPT (qty. 2)	\$1.30
		19538 Slotted posts, 1/4 x 1 (qty. 8)	\$1.50
		53075 Ground cable clamps (qty. 8)	\$1.15
		66730 Ferrite EMI suppression filters (qty. 4)	\$10.00
		76513 4-position screw terminal connector (qty. 1)	\$10.00
		76514 6-position screw terminal connectors (qty. 6)	\$10.00
		94422 Capacity label (qty. 1)	\$2.00
	110333	8-Channel Parts Kit Contents	\$75.00
		14861 Machine screws, 8-32 NC x 3/8 (qty. 12)	\$2.00
		15134 Lock washers, no. 8 Type A (qty. 12)	\$2.00
		15631 Cable ties, 3 in (qty. 5)	\$1.50
		15665 Reducing glands, 1/2 NPT (qty. 2)	\$1.30
		19538 Slotted posts, 1/4 x 1 (qty. 10)	\$1.50
		53075 Ground cable clamps (qty. 12)	\$1.15
		66730 Ferrite EMI suppression filters (qty. 8)	\$10.00
		76513 4-position screw terminal connector (qty. 2)	\$10.00
		76514 6-position screw terminal connectors (qty. 12)	\$10.00
		94422 Capacity label (qty. 1)	\$2.00

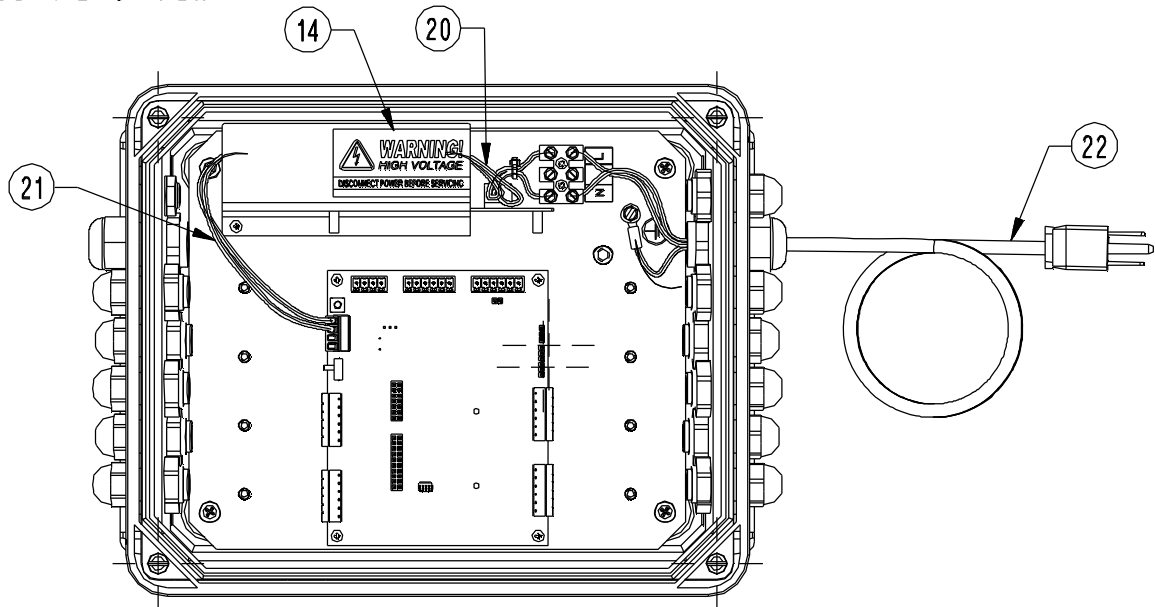
(See Diagram iQUBE² A)

iQUBE² Digital Diagnostic Junction Box

Junction Boxes



LID INTERIOR VIEW



BOX INTERIOR VIEW

iQUBE² A

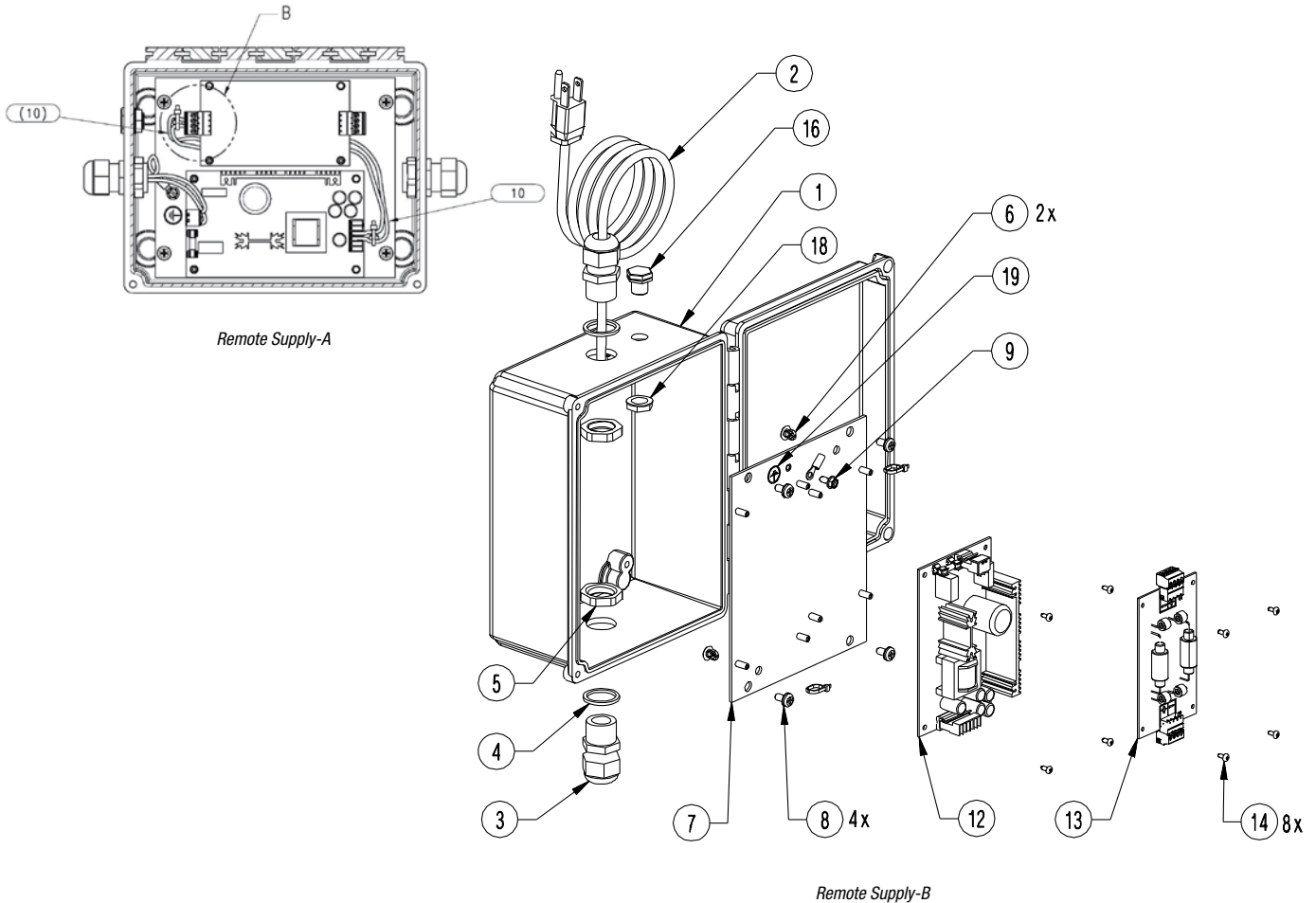
Remote Power Supply for iQUBE²

Part Number/Price

Ref#	Part#	Description	Price
1	110496	Enclosure (1)	\$100.00
2	78950	Power cord assembly (1), includes cord-grip, seal ring, lock nut	\$20.00
3	15628	Cord-grip, 1/2 NPT (1)	\$4.00
4	30376	Seal ring, 1/2 NPT (1)	\$1.15
5	15630	Lock nut, 1/2 NPT (1)	\$3.00
6	80589	Cable tie mounts (2)	\$0.50
7	110497	Back panel (1)	\$25.00
8	109526	Machine screws, 10-32 NC x 3/8 (4)	\$0.25
9	109529	Machine screw, 8-32 NC x 3/8 (1)	\$0.25
10	110580	Power cable power supply to transient board	\$10.00
12	72996	12V power supply board (1)	\$110.00
	54224	Replacement power supply fuse (1)	\$3.00
13	109396	Transient protection board (1)	\$65.00
14	14825	Machine screws, 4-40 NC x 1/4 (8)	\$1.15
16	88733	Breather vent (1)	\$22.00
18	88734	Breather vent nut (1)	\$1.05
	15665	Reducing gland for output power cord-grip, 1/2 NPT	\$1.30
	67967	Connector, 6 position used on 12V power supply board	\$2.00
	76513	Connector, 4 position used on transient board	\$10.00
	110564	Manual for remote power supply	\$5.00

(See Diagram Remote Supply-A and Remote Supply-B)

Junction Boxes



Remote Supply-A

Remote Supply-B

iQUBE® Digital Diagnostic Junction Boxes

Part Number/Price

Ref#	Part#	Description	Price
	71027	Fuse F1, 2A time-lag, Wickmann TR5, type 374	\$4.00
	77224	Installation manual	\$25.00
	77925	Revolution III configuration software CD	\$35.00
	93021	iQUBE parts kit	\$32.00
	78476	Operating lever for connectors	\$1.05
	77531	Power supply	\$165.00
	87961	5-pin connector, screw terminals	\$4.20
	77143	Fiber optic board, RX/TX, installed in iQUBE	\$200.00
	77788	Fiber optic board, RX/TX, installed in 920i indicator	\$200.00
2	81268	O-ring (4)	\$1.05
3	14822	Machine screws, 4-40 NC x 1/2	\$2.00
4	77140	iQUBE connector board, 4-channel	\$275.00
5	14637	Nuts (for power ground), 1/4-20 NC	\$2.10
6	31546	1/4 in internal tooth lock washers (for power ground)	\$2.10
7	14729	Bolt (for power ground), 1/4-20 NC x 3/4 hex head	\$0.55
8	15655	Cable grip, 3/8 NPT	\$2.10
9	15656	Lock nut, 3/8 NPT	\$1.05
10	15628	Cord-grips, 1/2 in NPT	\$4.00
11	15630	Lock nuts, 1/2 in NPT	\$3.00
12	91785	iQUBE enclosure	\$230.00
14	88734	Nut, breather vent	\$1.05
15	88733	Vent, breather	\$22.00
16	19538	Slotted back post	\$1.50
17	15665	Reducing gland	\$1.30
18	77247	iQUBE core module, 8-channel	\$750.00
20	70698	Wire assembly, ground	\$5.25
21	91896	Mounting panel assembly	\$45.00

(See Diagrams iQUBE-A & iQUBE-B)



Junction Boxes

iQUBE® Digital Diagnostic Junction Boxes

