

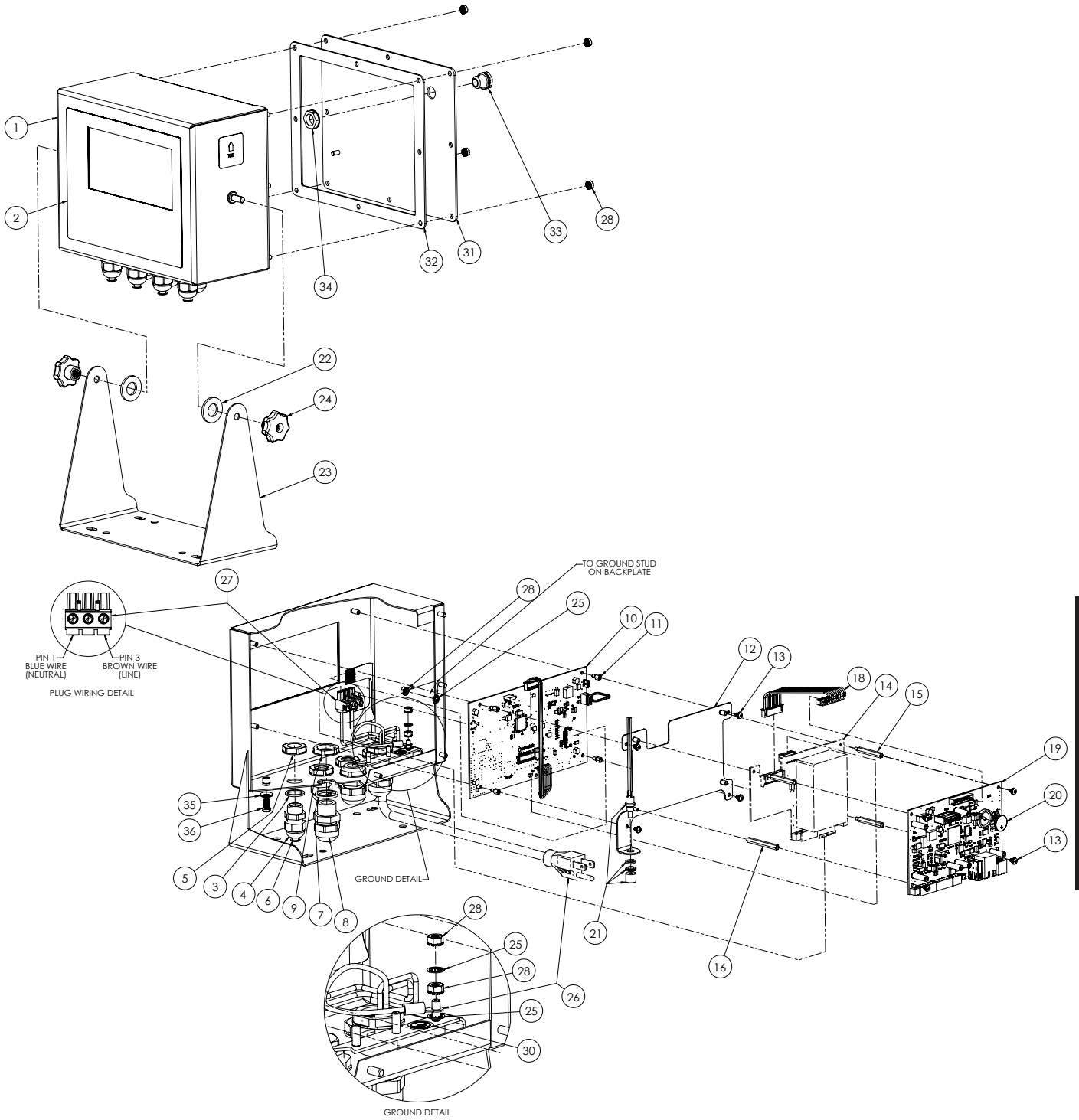
INDICATORS

882D**Part Number/Price**

Ref#	Part#	Description	Price
1	177305	Enclosure, 882D belt scale indicator with holes	Consult
2	175214	Overlay, 882D indicator membrane switch with numeric keys	Consult
3	30375	Seal ring, PG9 nylon	Consult
4	15626	Cord grip, PG9 plastic	Consult
5	15627	Lock nut, PG9 plastic	Consult
6	19538	Post, slotted black seal 1/4 x 1, cord grip - post only	Consult
7	68599	Seal ring, PG11	Consult
8	68600	Cord grip, PG11	Consult
9	68601	Nut, PG11 black nylon	Consult
10	176973	PCB, belt scale display board	Consult
11	180821	Standoff, M3x0.5x5 mm hex size 4.5 mm male-fem sst	Consult
12	177306	Adaptor plate, power supply 882 indicator	Consult
13	180824	Mach screw, M3X0.5X5 mm Phillips pan head SEMS 18-8 sst	Consult
14	175603	Board assy, 880/882 power supply 115-230VAC 5.5 inch blue color	Consult
14	175604	Board assy, 880/882 power supply 9-36VAC 5.5 inch blue color	Consult
15	180822	Standoff, M3x0.5x31 mm hex size 4.5 mm male-fem sst	Consult
16	180823	Standoff, M3x0.5x40 mm hex size 4.5 mm fem-fem sst	Consult
18	154762	Cable assy, 10 POS CPU to power supply 880 controller	Consult
19	195681	Board assy, 882 belt scale CPU	Consult
20	69291	Battery, 3V coin lithium, 16 mm diameter, 125 (mAh)	Consult
21	44845	Setup switch assy	Consult
22	103988	Washer, nylon .515-.52	Consult
23	163751	Tilt stand, 880 desktop	Consult
24	180825	Knob, M6x1 threaded thru 32mm dia 7-lobe nylon zn-pltd steel	Consult
25	15134	Washer, lock no 8 type A internal tooth steel zinc plated	Consult
26	180842	Power cord assy, 882D belt scale indicator NEMA 5-15	Consult
26	180850	Power cord assy, 882D belt scale integrator Europe CEE7/7	Consult
27	152334	Conn, 3 POS screw terminal 7.62 mm strip length 8 mm (.315 in)	Consult
28	180826	Nut, KEP M4x0.7 external tooth lock washer 18-8 sst	Consult
30	16892	Label, ground protective earth adhesive IEC 60417-5019	Consult
31	180827	Backplate, 882D universal belt scale integrator	Consult
32	163768	Gasket, 880 indicator	Consult
33	88733	Vent, breather sealed Gortex membrane black plastic	Consult
34	88734	Nut, breather vent M12x1 thread	Consult
35	46381	#10, Bonded sealing washer, 18-8 stainless steel	Consult
36	180861	Screw, mach M5x0.8x10 mm slotted drilled cheese head sst	Consult

(See Diagram 882D)

INDICATORS
882D



Indicators/Controllers

882D