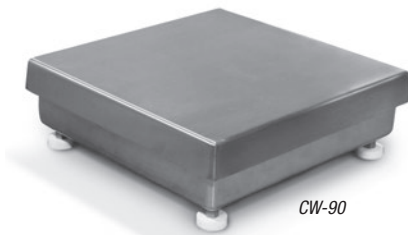


CHECKWEIGHERS
CW-90/CW-90X



CW-90



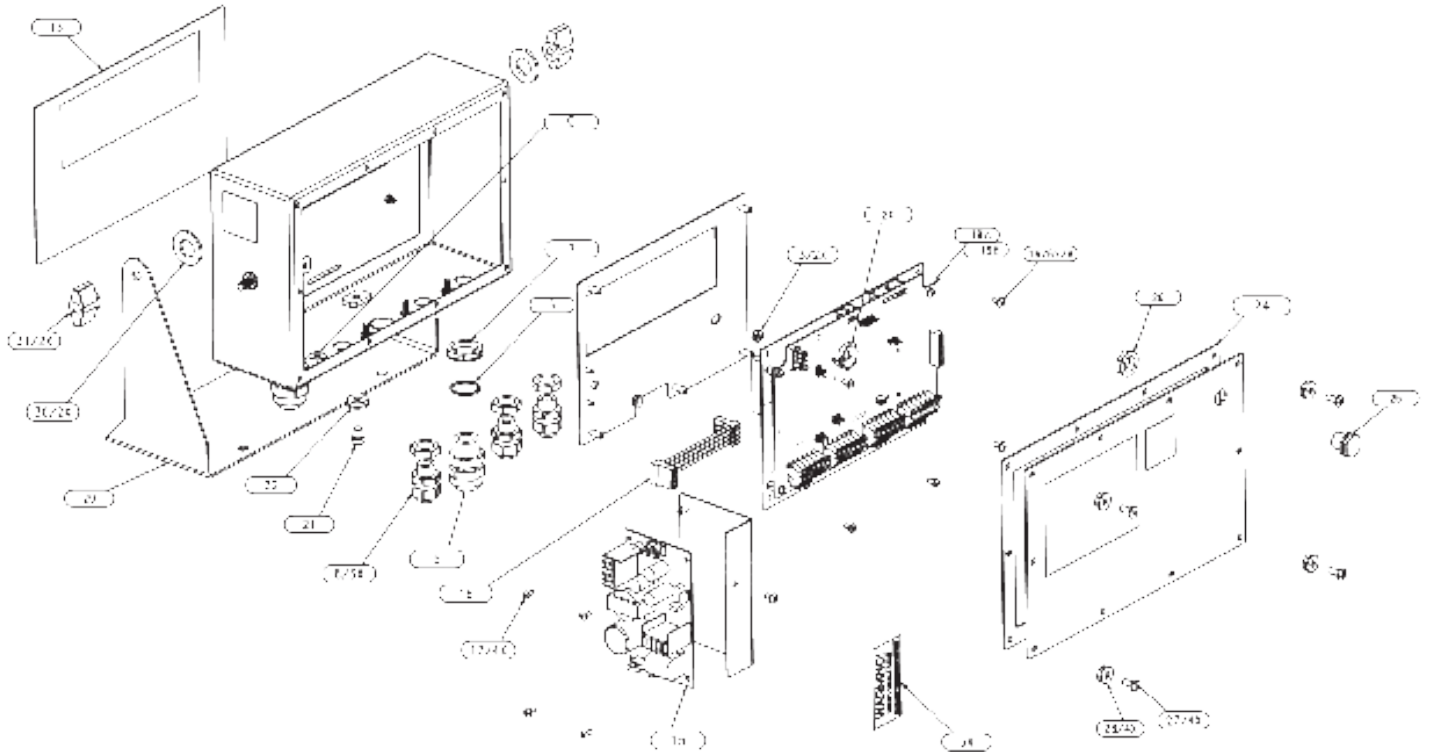
CW-90X

Part Number/Price

Ref#	Part#	Description	Price
CW-90X Load Cells			
	107174	RLPWM15HE 10 kg (5 lb and 10 lb scale)	Consult
	107175	RLPWM15HE 20 kg (25 lb scale)	Consult
	107176	RLPWM15HE 50 kg (50 lb scale)	Consult
	107177	RLPWM15HE100 kg (100 lb scale)	Consult
CW-90 Load Cells			
	107756	RL1040 7 kg (5 lb scale)	Consult
	107757	RL1040 10 kg (10 lb scale)	Consult
	107758	RL1040 30 kg (25 lb scale)	Consult
	107759	RL1040 50 kg (50 lb scale)	Consult
	107760	RL1040 100 kg (100 lb scale)	Consult
	107476	Bench scale foot	Consult
	106101	Assembled CPU and display board	Consult
	105555	Coupling nut for feet and overload stops	Consult
	105945	Parts kit, CW-90/90X (1)	Consult
3	14621	Nut, Kep 6-32 NC hex (2)	Consult
4	85202	Power cord assembly, 120VAC (1)	Consult
4	85203	Power cord assembly, 230VAC (1)	Consult
5	68600	Cord grip, PG11 (1)	Consult
6	68599	Seal ring, nylon PG11 (1)	Consult
7	68601	Nut, PG11 (1)	Consult
8	58983	Cable grip, SL-7 with nut (3)	Consult
9	16892	Label, earth ground (1)	Consult
10	15134	Washer, Lock no. 8 type A (3)	Consult
11	14626	Nut, Kep 8-32 NC hex (3)	Consult
12	45043	Wire, ground 4 in W/No.8 (1)	Consult
13	104914	Overlay, membrane switch (CW-90)	Consult
13	104915	Overlay, piezo (CW-90X)	Consult
15	76556	Power supply, switching (1)	\$52.00
16	14822	Screw, MACH 4-40 NC x 1/4 (6)	Consult
17	14825	Screw, MACH 4-40 NC x 1/4 (4)	Consult
18	105976	Cable assembly, power supply (1)	Consult
19A	102354	CPU (1) (battery p/n 69291 not included)	Consult
19A	120084	CPU CW-90, with battery	Consult
19B	105741	Display (1)	Consult
20	69291	Battery, 3V coin lithium (1)	Consult
21	42640	Screw, MACH 1/4-28 NF X 1/4 (1)	Consult
22	44676	Washer, bonded sealing (1)	Consult
24	84388	Gasket, backplate 420 (1)	Consult
25	88733	Vent, breather sealed (1)	Consult
26	88734	Nut, breather vent (1)	Consult
27	14862	Screw, MACH 8-32 NC x 3/8 (4)	Consult
28	45042	Washer, bonded sealing SST (4)	Consult
29	29635	Stand, tilt SST (1)	Consult
30	103988	Washer, nylon .52 10 x (2)	Consult
31	103610	Knob, black 1/4-20 (2)	Consult
34	16861	Label, warning high (1)	Consult

(See Diagram CW-90/90X)

CHECKWEIGHERS
CW-90/CW-90X



CW-90/90X Indicator